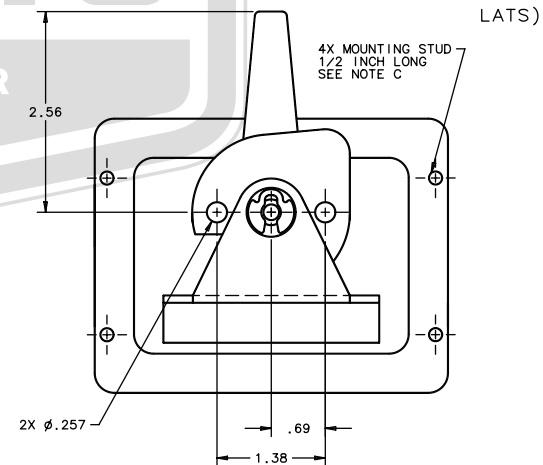
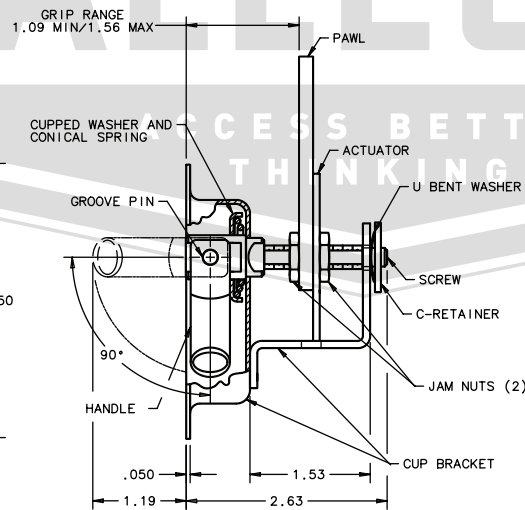
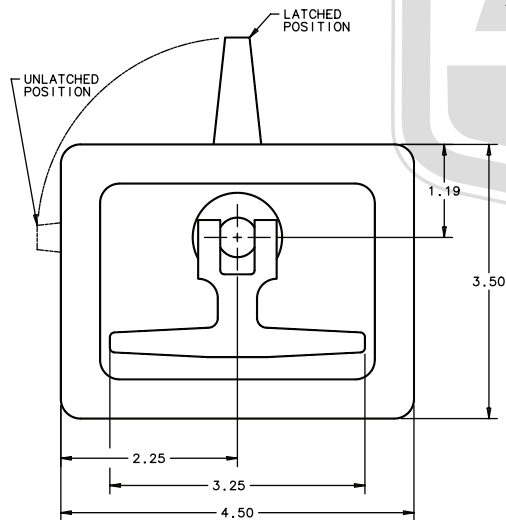
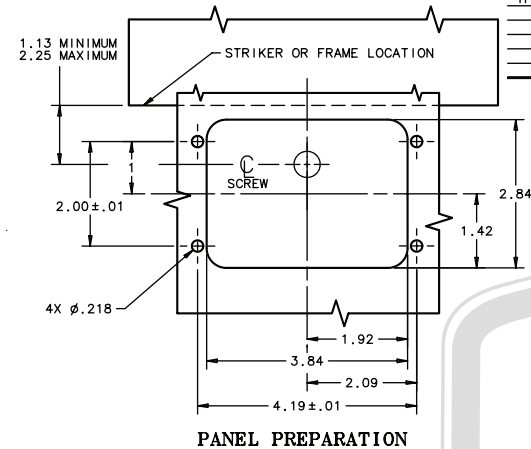


- NOTES:
 A. TIGHTENING TORQUE OF MOUNTING NUTS
 NOT TO EXCEED 25 in-lbs.
 B. MOUNTING HEX NUT AND LOCKWASHER 4 EACH INCLUDED
 ASSEMBLED

REV	DATE	DRWN/CHKD	DESCRIPTION	ITEM	PART NUMBER	MATERIAL	MATERIAL	INCHES
F	21MAY97	SWD	PRN: 24-176	ASSEMBLY	24-20-302-35	-	-	
G	14MAY2004	RLR/AJH	PRN: P2004-0492	GROOVE PIN	-	STEEL	ZINC PLATE PLUS BRIGHT CHROMATE	ALL DIMENSIONS WITHOUT TOLERANCES ARE FOR REFERENCE ONLY.
H	12APR2005	BRP/AJH	PRN: P2005-0592	SCREW	-	STEEL	CHROME PLATE	
				CONICAL SPRING	-	STAINLESS STEEL	PASSIVATE	
				PAWL	-	STEEL	ZINC FLAKE COATING	
				JAM NUT (2)	-	STEEL	ZINC PLATE CHROMATE PLUS SEALER	
				ACTUATOR	-	STEEL	ZINC FLAKE COATING	
				U BENT WASHER	-	STEEL	ZINC PLATE PLUS YELLOW CHROMATE DIP	
				C RETAINER	-	STEEL	ZINC PLATE PLUS YELLOW CHROMATE DIP	
				HANDLE	-	DIE CAST ZINC	CHROME PLATE	
				CUPWASHER	-	STEEL	CHROME PLATE	
				CUP BRACKET	-	STAINLESS STEEL	ELECTROPOLISH	
				HEX NUT (4)	-	STAINLESS STEEL	PASSIVATE	
				LOCKWASHER (4)	-	STAINLESS STEEL	PASSIVATE	



THESE ASSEMBLIES ARE NON-REPAIRABLE ITEMS AND COMPONENTS ARE NOT AVAILABLE AS REPLACEMENT OR REPAIR PARTS.

ALLEGIS	1-866-378-7550
MATERIAL: Stainless Steel	DRAWING NO. : 24-20-302-35
FINISH: Polished	
REV.: 1:1	DATE: 5/28/2019